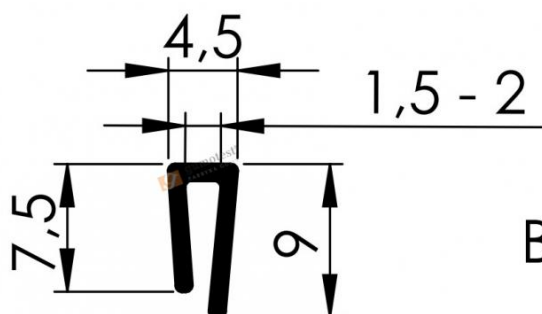


## Rubber Edge Gasket B-304 Type "U" For 1,5-2mm Edge

<https://gumotest.pl/sklep/en/edge-profiles/370-uszczelka-gumowa-epdm-krawedziowa-b-304-typ-u-na-rant-2mm.html>

Price **3,59 zł** gross



B-304



### Full product description

**Edge gasket** (edge profile/rim profile/profile/protective profile/rubber profile type u/rubber gasket/edge gasket/half-round gasket/ gasket type u) **B-304 type U for 1,5-2mm edge** is a multipurpose product, finding wide and universal use as a protective, sealing and securing element. The gasket will effectively protect edges/rims with a thickness of **1,5-2**. The inward bent walls of the profile allow a stronger and tighter seating of the gasket on the edges.

The gasket is made of durable **PVC** (polyvinyl chloride) material, thanks to which it is characterized by:

- good mechanical properties
- high chemical resistance
- maintaining its properties in the temperature range from **-40°C to +85°C**
- very good dielectric properties
- self-extinguishing properties

**hardness:** 55 +/-5 °ShA

**material:** PVC

**The price listed is for 1mb of profile**

\*pictures are for illustrative purposes only. The offered product may differ slightly from the image in the photo.